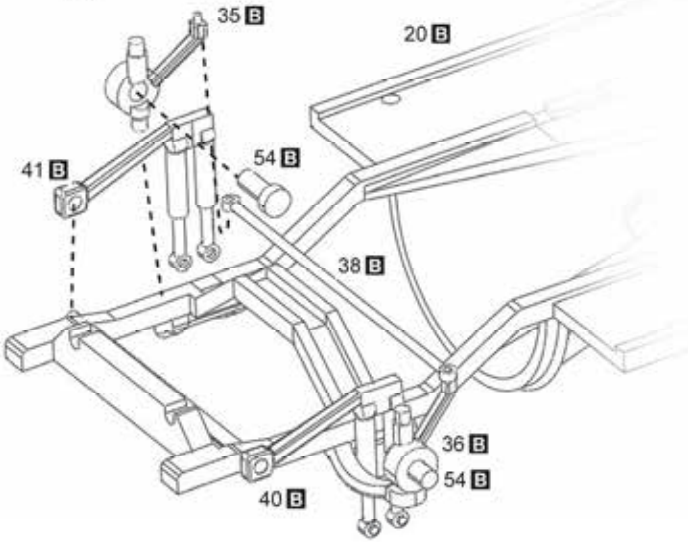
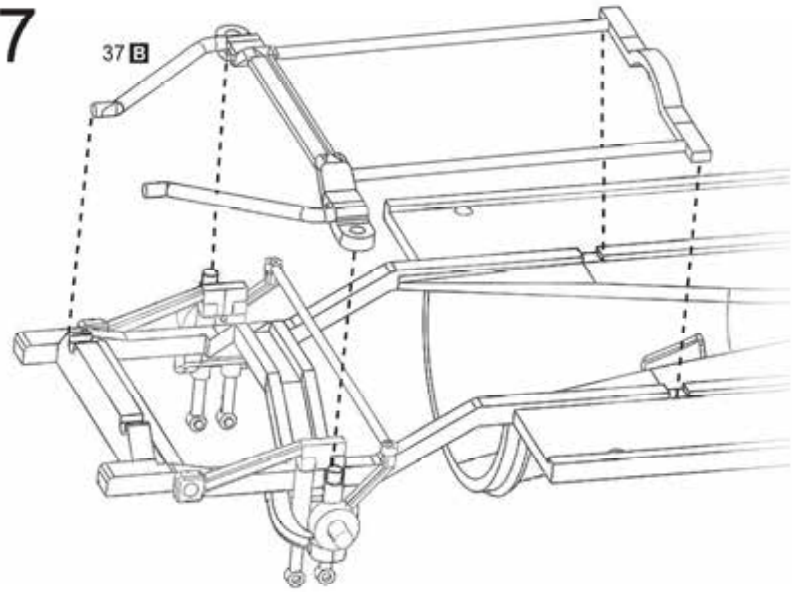


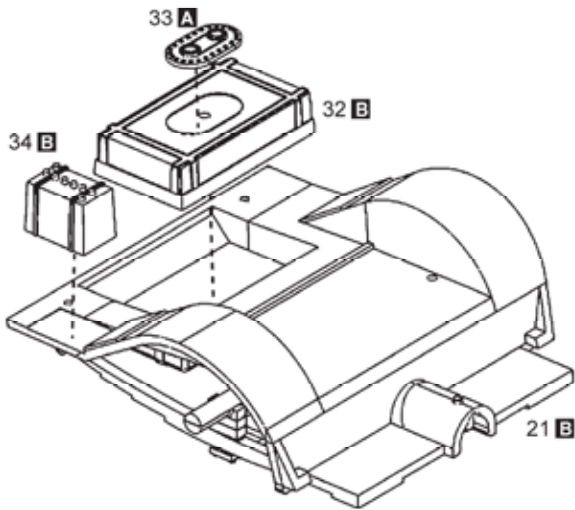
6



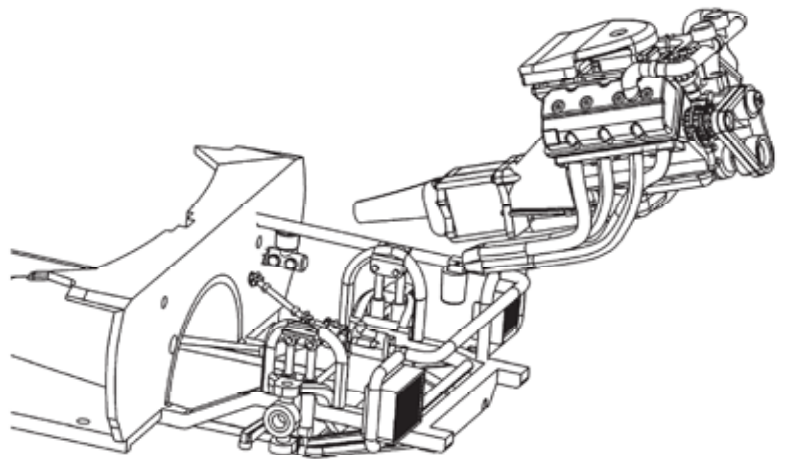
7



8

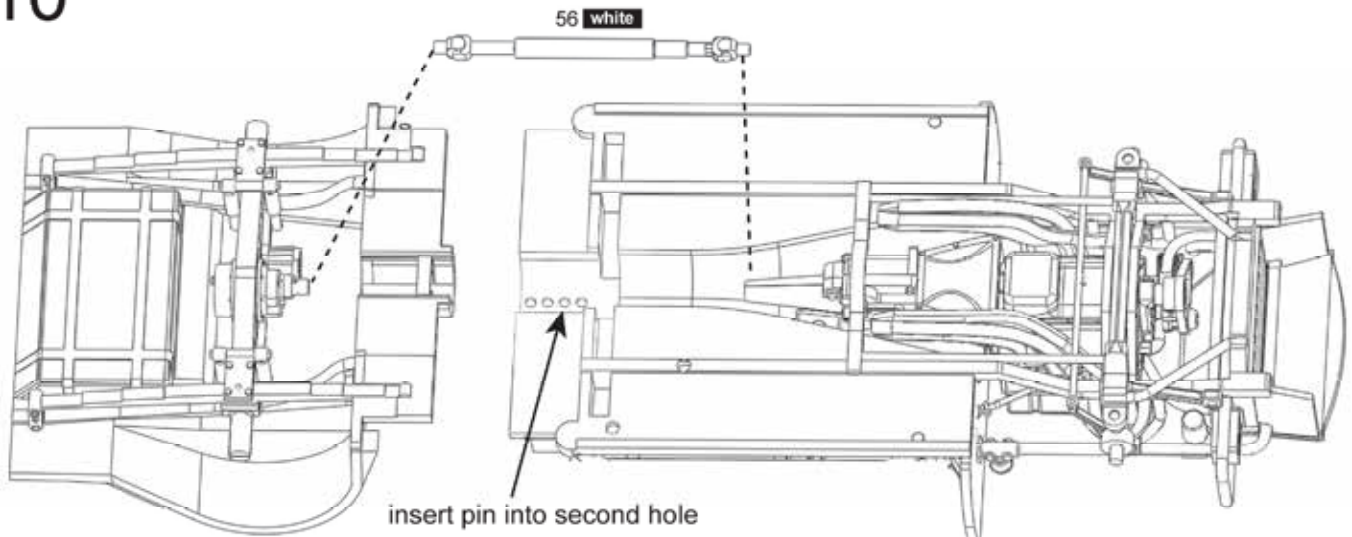


9

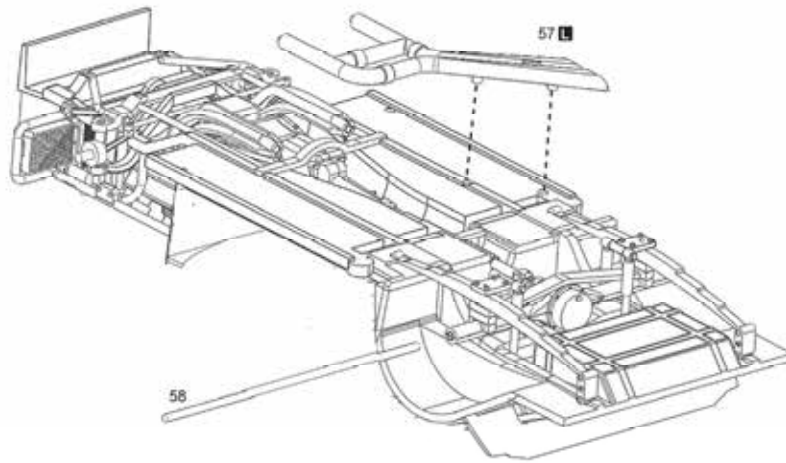


insert engine assembly

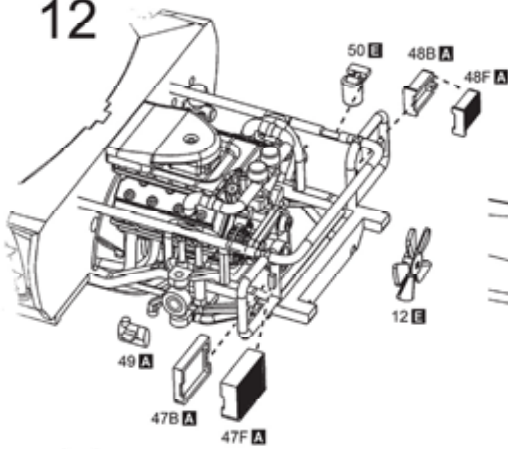
10



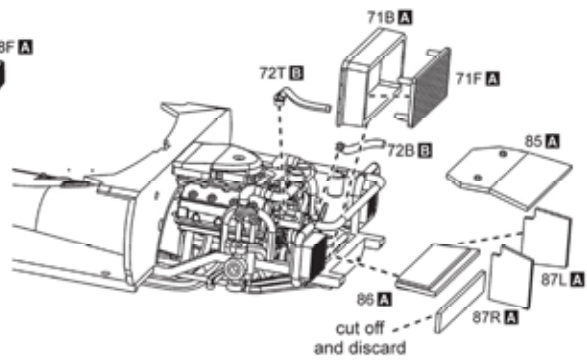
11



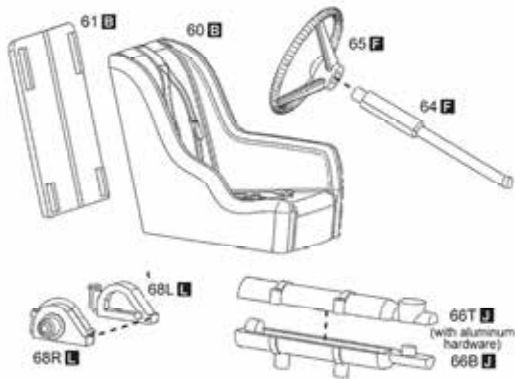
12



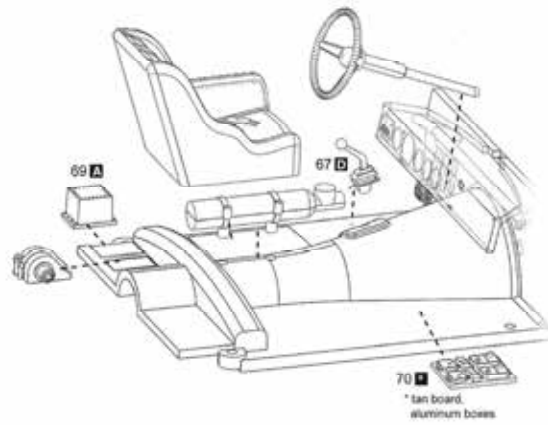
13



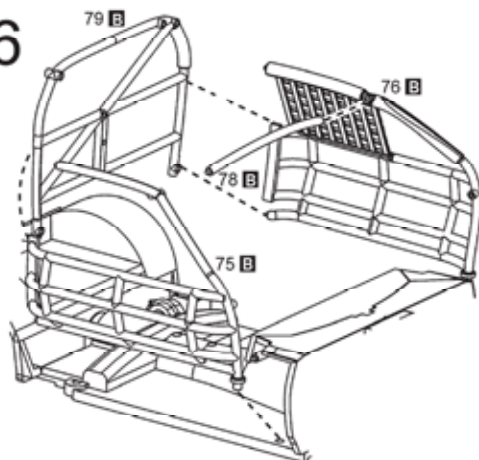
14



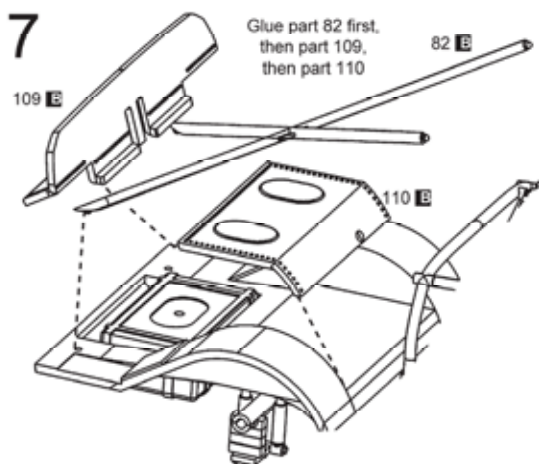
15



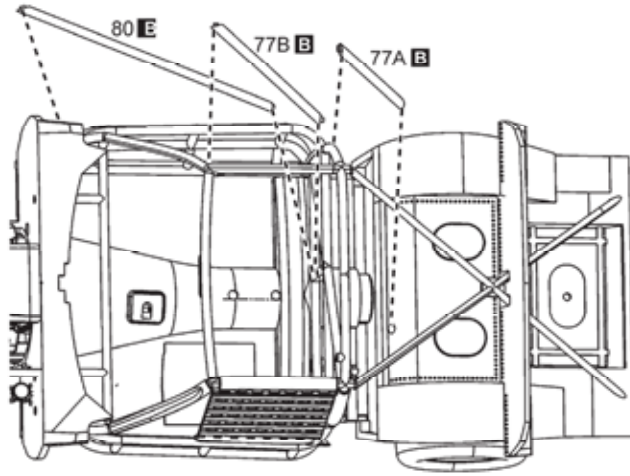
16



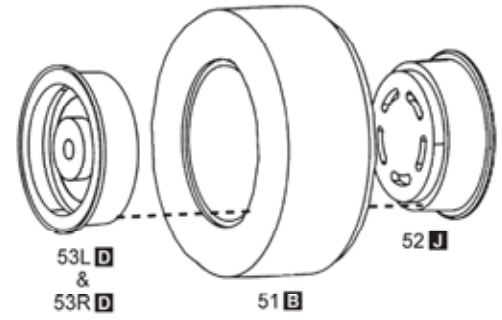
17



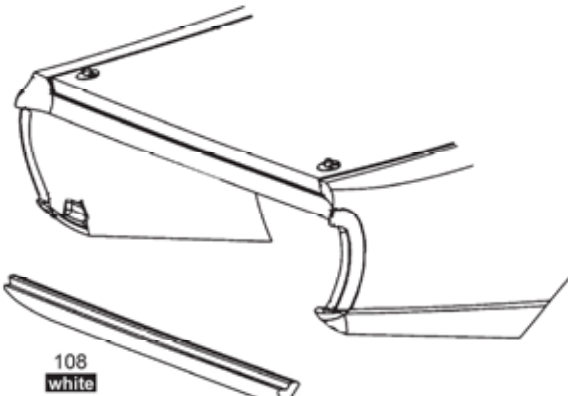
18



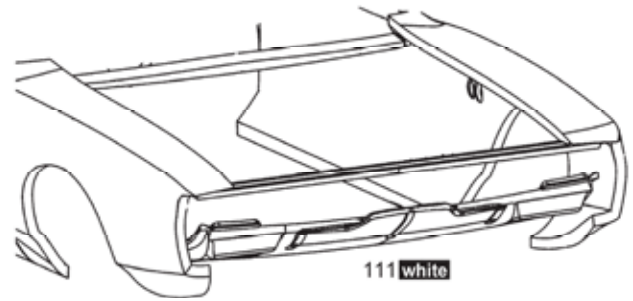
19



20

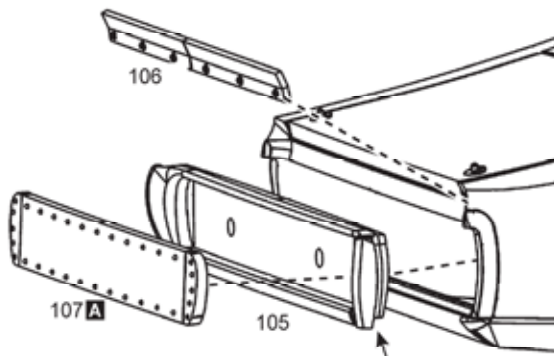


21



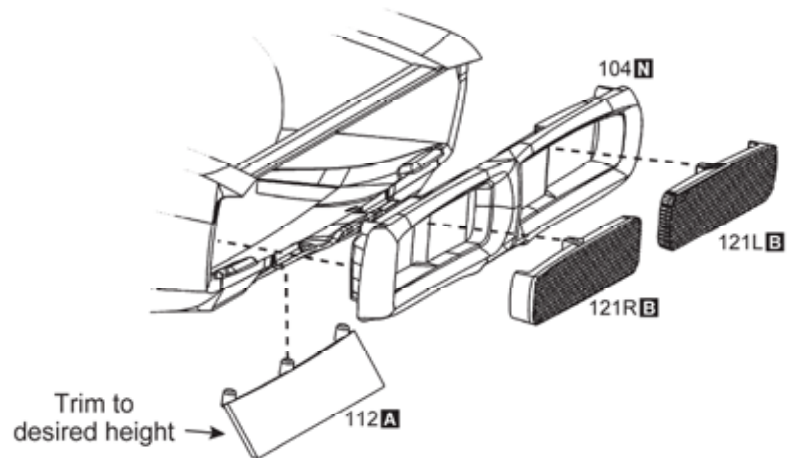
Dry fit chrome parts for spacing (do not glue), then glue parts to body before painting

22

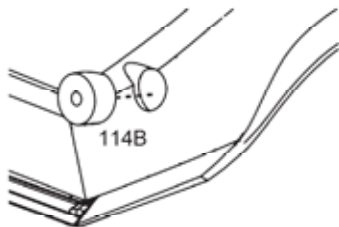


Trim both sides to fit before installation

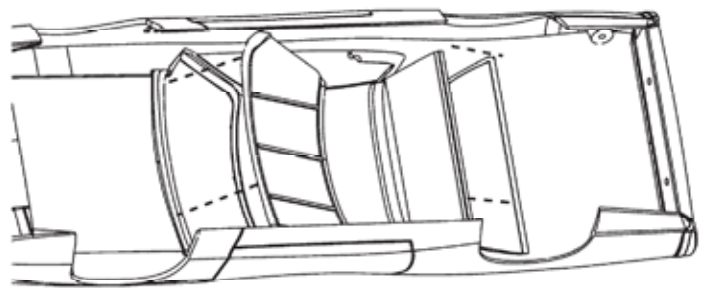
23



24

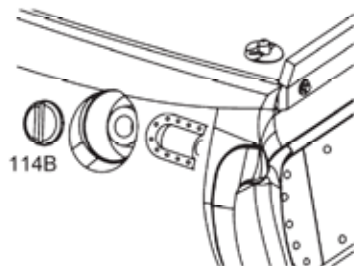


26

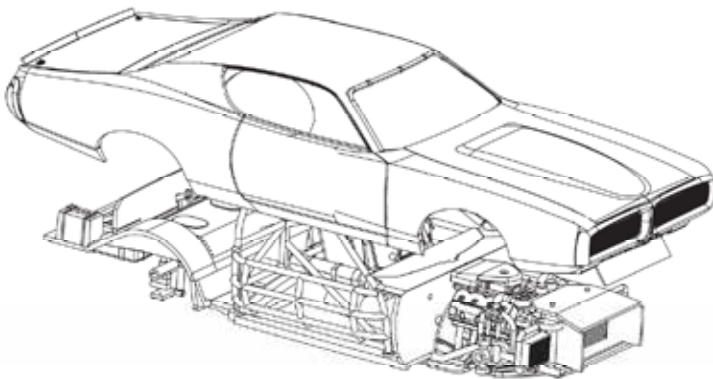


install windows from inside

25



27



28

